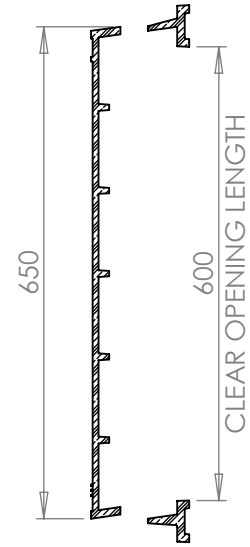
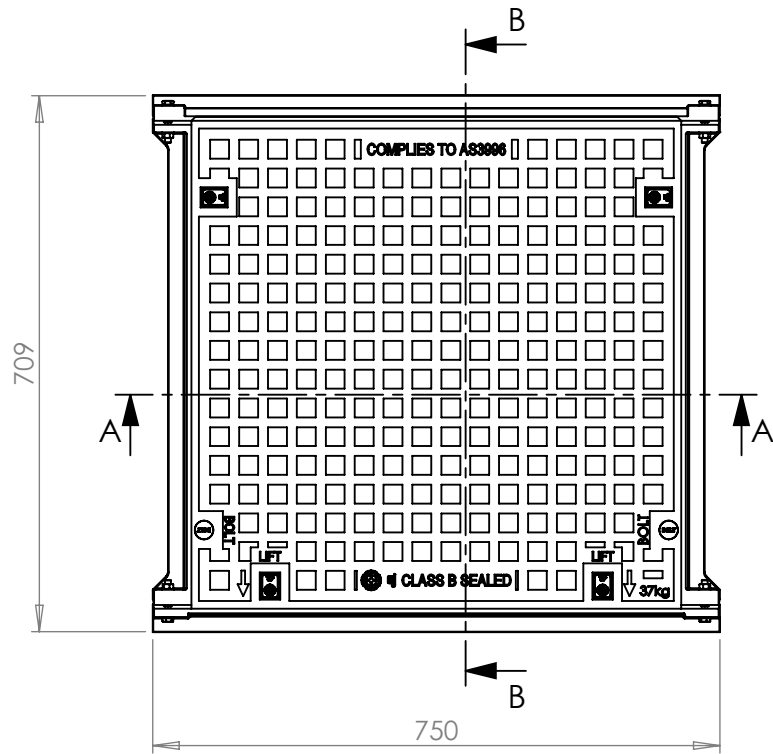
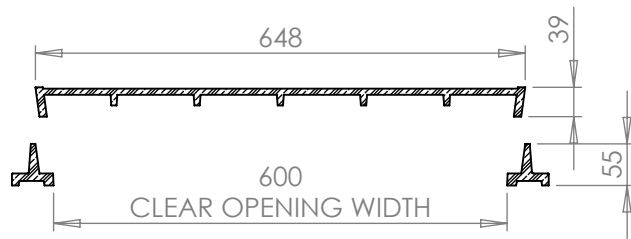


1. UNLESS OTHERWISE SPECIFIED, ALL DIMENSIONS IN MILLIMETERS
2. PART/ASSEMBLY MUST BE FREE OF BURRS
3. DO NOT SCALE DRAWING
4. PRODUCT STANDARD: AS3996:2019



SECTION B-B



SECTION A-A

DESCRIPTION

GASTIGHT SOLID TOP CLASS B ASSEMBLY

GENERAL TOLERANCES

ANGLE	0-100	101-200	201-500	>500
±0.5	±1.0	±2.0	±5.0	±10.0